

# HY-BRID LIFTS™

BY CUSTOM EQUIPMENT LLC

## DECAL MANUAL ADDENDUM

SELF-PROPELLED AERIAL WORK PLATFORM

SUPO-656

REV D



---

# HB-1030

# HB-1430

---

SERIES I  
SERIES II

**NOTE:** When a replacement decal listed in this document is attached to a machine, add this document to the manual box

# SECTION 1 | DECALS

## 1.1 | TITLE

The decals originally supplied to your machine may vary from those sold for replacement parts. If they are different, when replacing decals, please add this addendum to the manual box on the machine, where the existing Operator's Manual SUPO-610 is already supplied.

For HB-1030 serial numbers D01-10151 and later, and HB1430 serial numbers D02-10887 or later, this addendum is not necessary. The information is included in the Operator's Manual.

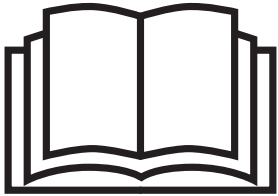
The table below designates replacement decals that meet the requirements of the original decals.

Original Decal		Replacement Decal	
Part #	Description	Part Number	Description
DE805	KIT,DECALS HB2	112-21-008-50-K OR 112-21-008-55-K	DECALS,HB-1030S2 KIT OR DECALS,HB-1430S2 KIT
DE600	KIT,DECALS HB1030/HB1430 S1	DE600-K50 OR DE600-K54	DECALS,HB-1030S1,KIT OR DECALS,HB-1430S1,KIT
DE600-01	DECAL,WARNINGS	DE706	DECAL,UPR HB
DE600-04	DECAL,PLAT EXT & GATE		
DE600-09	DECAL,ELECTROCUTION HAZARD		
DE600E-05	DECAL,DANGER TIP		
DE600-02	DECAL,DANGERS	DE706 & DE732 OR DE733	DECAL,UPR HB & DECAL,CAPACITY,750#,2P,T,W/SO OR DECAL,CAPACITY,670#,2P,I,W/SO
DE600E-02	DECAL,DANGERS INDOOR ONLY		
DE600-16A	DECAL,KEEP	DE707	DECAL,KEEP
DE600-16B	DECAL,CLEAR	DE708	DECAL,CLEAR
DE600E-30	DECAL,MAINT LOCK USE		
DE600-08	DECAL,BATT GAS WARNING	DE709	DECAL,LWR
DE600E-06	DECAL,TIRE REPLACEMENT		
DE600E-18	DECAL,BATT WEIGHT		
DE626	DECAL,PH WARNING		
DE600-21	DECAL,BRAKE RELEASE/NO TOW	DE747	DECAL,BRAKES
DE600-22	DECAL,BRAKERELIEASE/NO TOW		
DE600-17	DECAL,SAFETY STRIPE (24")	DE717-61	DECAL,SAFETY STRIPE (24")
DE600-03	DECAL,CAPACITY 750#, 2P	DE732	DECAL,CAPACITY,750#,2P,I,W/SO
DE600-03A	DECAL,CAPACITY 670#,2P	DE733	DECAL,CAPACITY,670#,2P,I,W/SO
DE600-07	DECAL,DO NOT POWERWASH	NA	NA
DE627	DECAL,HOLE COVER	NA	NA

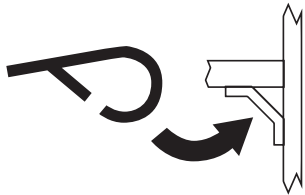
## 1.2 | DECAL SYMBOLS AND INFORMATION



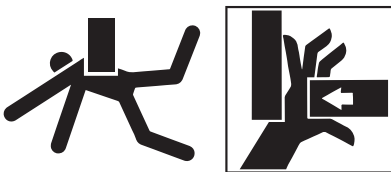
- No unauthorized Use
- Do not operate this machine unless you have been trained in safe operation.
- Training includes complete knowledge of the safety and operating instructions contained in the manufacturer's manual, your employer's work rules, and applicable government regulations.
- An untrained operator subjects himself and others to death or serious injury.



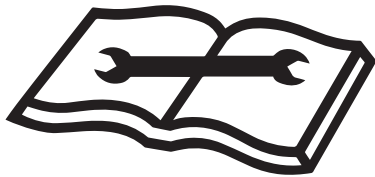
- Read and understand all dangers and warning in the operator's manual before operating this machine.
- Improper use of this machine could cause death or serious injury.
- Inspect machine and make sure that it is operating properly, that all name plate and hazard signs are in place and legible, and that the machine is in accordance with the manufacturer's maintenance requirements contained in the operating and maintenance requirements contained in the operation and maintenance manual and the daily safety checklist.



- Lanyard anchorage point location.
- Lanyard anchorage points are for work positioning restraints only.
- Use of fall arrest systems attached to anchorage points on mobile equipment may cause machine to tip, resulting in serious injury or death.



- Crushing Hazard
- Do not enter the space beneath the work platform or scissor structure unless the maintenance lock is in place.

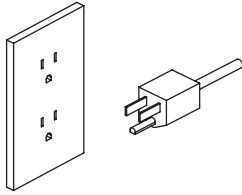


- Refer to Maintenance Manual
- Only qualified service personnel may service the machine. Failure to comply with listed safety precautions may result in machine damage, personnel injury, or death.
- Replace designated items with manufacturer's specified equipment only. Failure to use these items may cause instability of platform.



- Batteries produce explosive gas. Only charge batteries in a well-ventilated area.
- Do not expose sparks or flames.
- Do not smoke while charging battery.

## SECTION 1 | DECALS



- Battery Charger Cord



- Tip Hazard



- Tip Hazard
- Do not elevate platform on an incline or step.



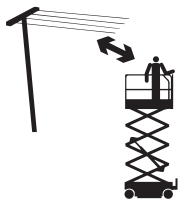
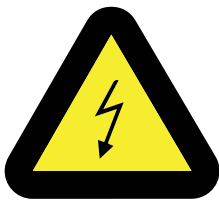
- Tip Hazard
- Do not elevate platform on a slope.



- Tip Hazard
- Do not elevate platform on uneven or soft surfaces.



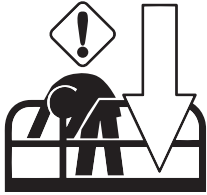
- Indoor Use Only: No Wind Load



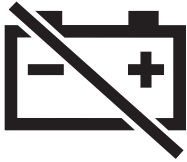
- Electrocution Hazard
- This machine is not insulated.
- Maintain safe clearance from electrical lines and apparatus. You must allow for machine sway, rock or sag and electrical lines swaying.
- This machine does not provide protection from contact with or proximity to an electrically charged conductor.
- You must maintain a clearance between any part of this machine or its load and any electrical apparatus. Follow local power line regulations.
- Death or serious injury will result from contact or inadequate clearance.



- Brake Release



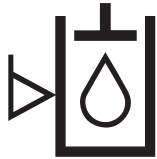
- Emergency Lowering



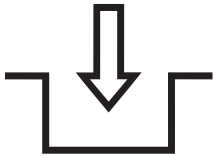
- Battery disconnect



- Fork pocket

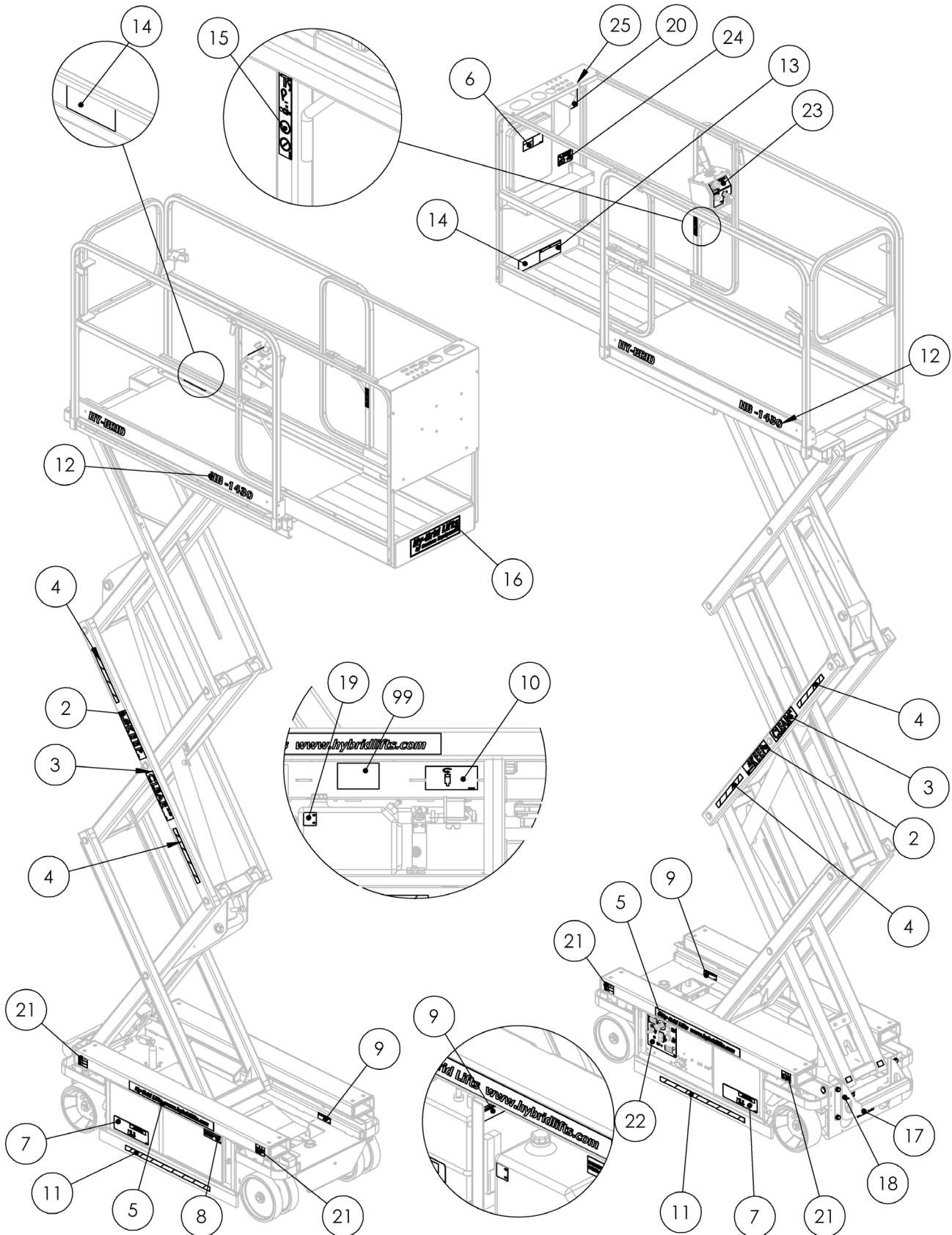


- Hydraulic oil level



- Engaging mechanical Action: Enable Switch

1.3 | DECAL LOCATIONS, SERIES 2

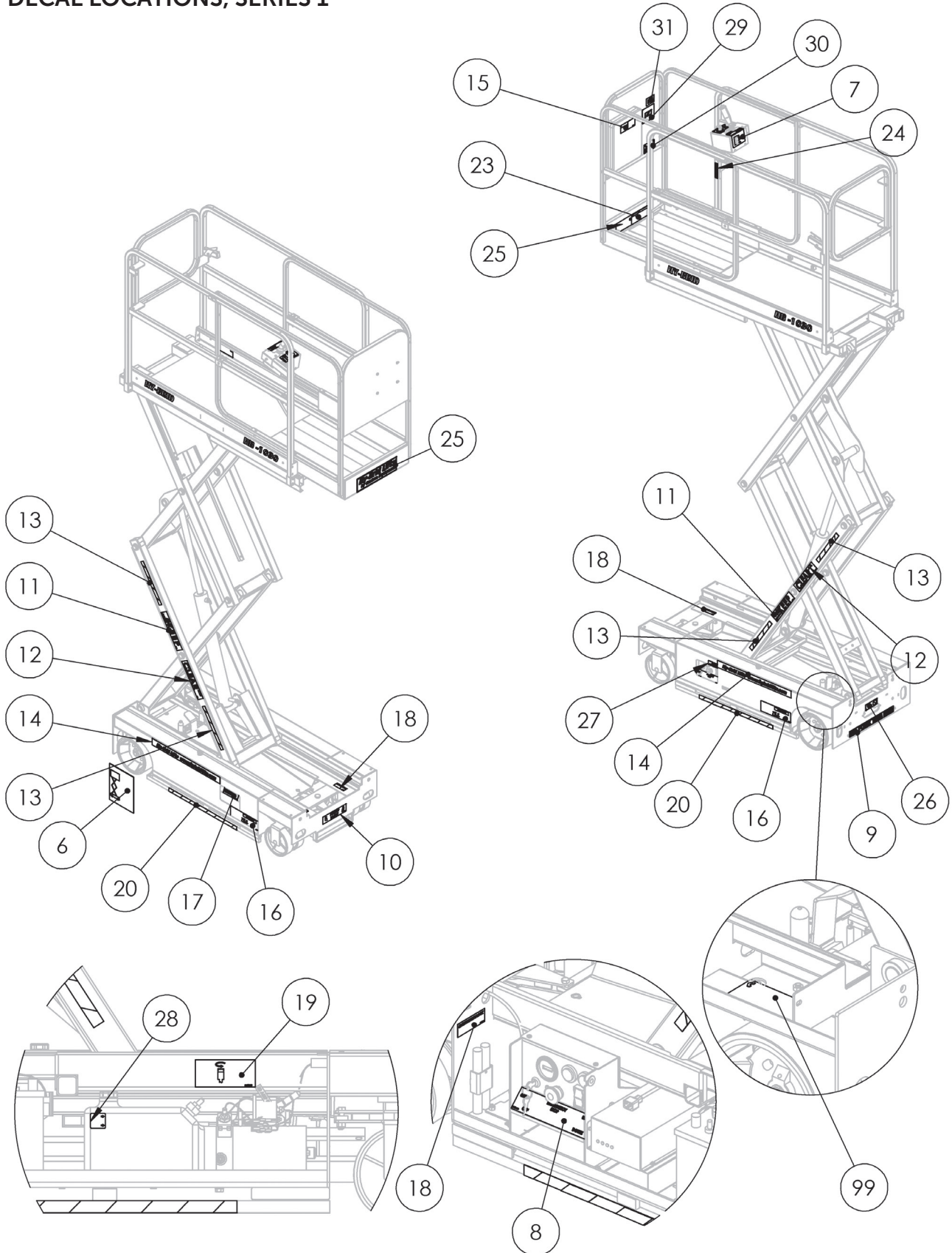


## 1.4 | DECAL DESCRIPTIONS, SERIES 2

Item #	Part #	Description	NOTES	QTY
112-21-008-50-K OR 112-21-008-55-K		DECALS,HB-1030S2 KIT OR DECALS,HB-1430S2 KIT		
2	DE707	DECAL,KEEP		2
3	DE708	DECAL,CLEAR		2
4	DE717-62	DECAL,SAFETY STRIPE (12.00)		4
5	DE822	DECAL,WEBSITE		2
6	DE600E-10	DECAL,MANUAL BOX		1
7	DE709	DECAL, LWR		2
8	DE600-28	DECAL,E-DOWN LOCATION		1
9	DE600E-14	DECAL,MAINT LOCK		3
10	DE600-29	DECAL,E-DOWN		1
11	DE717-61	DECAL,SAFETY STRIPE (24.00)		2
12	DE603 OR DE603-1	DECAL,MODEL HB-1030 OR DECAL,MODEL HB-1430		2
13	DE706	DECAL,UPR HB		1
14	DE733	DECAL,CAPACITY,670#,2P,I,W/SO		2
15	DE746	DECAL,LANYARD ATTACHMENT		2
16	DE821	DECAL,LOGO HY-BRID		1
17	DE747	DECAL,BRAKE RELEASE/NO TOW		1
18	DE753	DECAL,CHARGER CORD		1
19	DE679	DECAL,HYDR FLUID		1
20	DE777	DECAL,BATT CHARGE DAILY		1
21	DE663	DECAL,WHEEL LOAD HB-1430 S2		4
22	DE623A	DECAL,CTL LWR HBLG-ANSI		1
23	DE624A	DECAL,CTL UPR		1
24	DE649	DECAL,CAPACITY, TOOL TRAY	Not used unless tool tray option installed	1
25	DE782	DECAL,MADE IN USA		1



1.3 | DECAL LOCATIONS, SERIES 1





## 1.4 | DECAL DESCRIPTIONS, SERIES 1

Item #	Part #	Description	Notes	Qty
DE600-K50 OR DE600-K54		DECALS,HB-1030S1 KIT OR DECALS,HB-1430S1 KIT		
6	SUPO-656	MANUAL ADDENDUM,HB S2 DECALS		1
7	DE624A	DECAL,CTL UPR		1
8	DE600-19	DECAL,CTL LWR		1
9	DE611	DECAL,NO FORK		1
10	DE600-12	FORK POCKET DECAL		1
11	DE707	DECAL,KEEP		2
12	DE708	DECAL,CLEAR		2
13	DE717-62	DECAL,SAFETY STRIPE (12.00)		4
14	DE822	DECAL,WEBSITE		2
15	DE600E-10	DECAL,MANUAL BOX		1
16	DE709	DECAL, LWR		2
17	DE600-28	DECAL,E-DOWN LOCATION		1
18	DE600E-14	DECAL,MAINT LOCK		3
19	DE600-29	DECAL,E-DOWN		1
20	DE717-61	DECAL,SAFETY STRIPE (24.00)		2
21	DE732	DECAL,CAPACITY,750#,2P,I,W/SO		2
22	DE603 OR DE603-1	DECAL,MODEL HB-1030 OR DECAL,MODEL HB-1430		2
23	DE706	DECAL,UPR HB		1
24	DE746	DECAL,LANYARD ATTACHMENT		2
25	DE821	DECAL,LOGO HY-BRID		1
26	DE747	DECAL,BRAKE RELEASE/NO TOW		1
27	DE753	DECAL,CHARGER CORD		1
28	DE679	DECAL,HYDR FLUID		1
29	DE777	DECAL,BATT CHARGE DAILY		1
30	DE649	DECAL,CAPACITY, TOOL TRAY	Not used unless tool tray option installed	1
31	DE782	DECAL,MADE IN USA		1
99	N/A	HB1030 SERIAL NUMBER PLATE		1





# **HY-BRID LIFTS™**

BY CUSTOM EQUIPMENT LLC

---

Self-Propelled Aerial Work Platform  
Operation & Safety Manual  
HB-1030/HB-1430

---

© 2016 Custom Equipment, LLC  
2647 Highway 175  
Richfield, WI 53076  
U.S.A.  
Tel.: +1-262-644-1300  
Fax: +1-262-644-1320  
[www.hybridlifts.com](http://www.hybridlifts.com)  
[Service@Customequipmentlifts.com](mailto:Service@Customequipmentlifts.com)

"Hy-Brid Lifts" is a trademark of Custom Equipment, LLC.  
These machines comply with specified ANSI/SIA A92.6 requirements

Revision Date: June 2016

Printed In The USA