

HY-BRID LIFTS™

BY CUSTOM EQUIPMENT LLC

UNIQUE FEATURE GUIDE

SELF-PROPELLED AERIAL WORK PLATFORM

SUPO-674
REV B



HB-830 HB-1230

SERIES I
SERIES II
SERIES III



Corresponding video can be viewed at
<http://youtu.be/MILzLVpizuY>

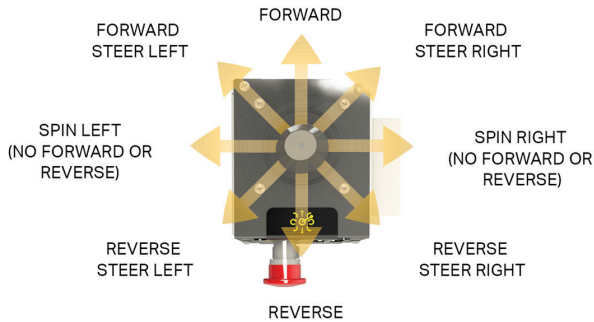


follow our page:
www.youtube.com/hybridlifts

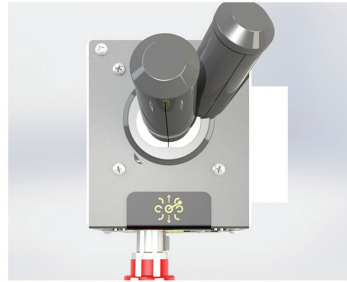
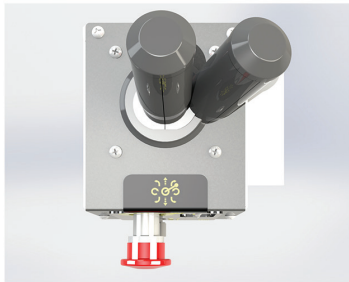
SECTION 1 | UNIQUE FEATURES

NOTE: This guide is intended to highlight the unique features of the Hy-Brid Lifts HB-830 and HB-1230 models. This document does not replace the Operations & Safety User Manual. The operator is responsible for reading and understanding the user manuals before operating machine. This document is meant to be used in conjunction with the existing user manuals.

1.1 | SPIN VS. TURN



Understanding the difference between Spin and Turn on the Hy-Brid HB-830/HB-1230 is essential for proper machine control and avoiding unwanted caster movement.

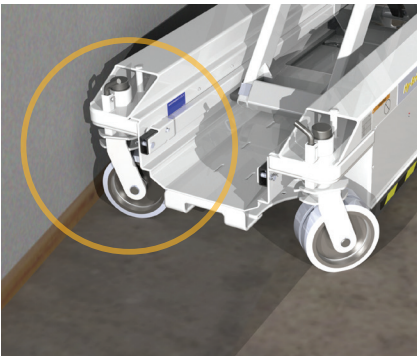


Spin – Machine rotation **without** forward or reverse movement, moving directly left or right.

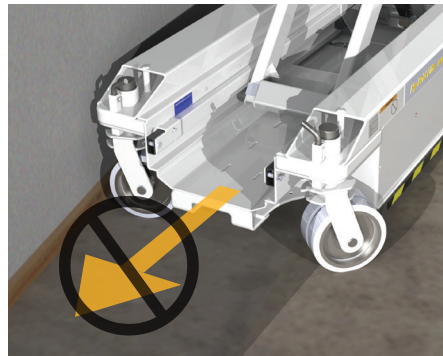
Turn – Machine rotation **with** forward or reverse movement, moving at a diagonal.

Performing a spin will allow the operator to adjust the casters to point in the direction of intended movement. It is important to adjust the casters with the spin function before turning and moving the machine to prevent running into a wall or obstruction. To make the machine spin, the joystick needs to be moved straight left or right.

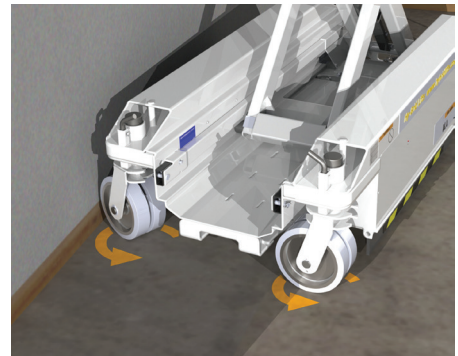
An example of how spin can be useful is when the machine is adjacent to a wall or obstruction. To avoid running into the wall or obstruction the user should spin away from it before performing a turn and moving the machine. This situation is shown in the below images.



Users must be aware of wheel direction and distance between machine and any obstacle.



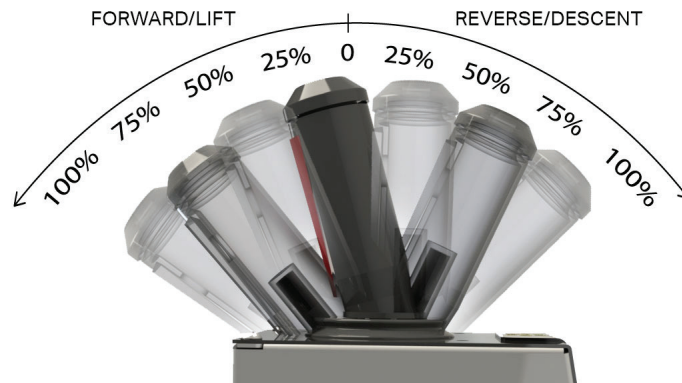
In this situation do not use forward motion, as this will cause the machine to make a sharp turn toward the wall.



Instead, use spin to rotate the casters away from the wall before traveling

1.2 | PROPORTIONAL DRIVE

Proportional drive allows the operator to control the speed of machine movement. Controlling the speed of movement is important as it can help prevent damage to the job site such as hitting drywall, door frames, etc. The speed of movement is determined by how far the joystick is moved forward or backward while the drive function is enabled. See diagram.



1.3 | PROPORTIONAL LIFT

Proportional lift allows the operator to control the speed of elevation. Controlling the speed of elevation is important as it can help prevent injury and damage to the job site. The speed of elevation is determined by how far the joystick is moved forward while the lift function is enabled. This allows the machine to be elevated very slowly and smoothly into tight spaces. See diagram above.

1.4 | CASTER LOCKS

The HB-1230 has non driven swivel casters in the front of the machine allowing the user to get into areas where traditional lifts can't access. When loading a trailer the casters need to be locked for safety. While it is not recommended to drive over job site debris or cords and cables; locking the casters will provide greater ability to travel over these materials. The caster locks can also be utilized in situations where limited steering is desired.



HY-BRID LIFTS™

BY CUSTOM EQUIPMENT LLC

Self-Propelled Aerial Work Platform
Unique Features Guide
HB-830/HB-1230

© 2015 Custom Equipment, LLC
2647 Highway 175
Richfield, WI 53076
U.S.A.
Tel.: +1-262-644-1300
Fax: +1-262-644-1320
www.hybridlifts.com
Service@Customequipmentlifts.com

"Hy-Brid Lifts" is a trademark of Custom Equipment, LLC
These machines comply with ANSI/SIA A92.6

Printed In The USA